

Key stage 3 mathematics 2006

Mental mathematics Test B

First name _____

Last name _____

School _____

Total marks

Practice question

		37	
--	--	----	--

Time: 5 seconds

1		30	
---	--	----	--

2			
---	--	--	--

3		$\frac{1}{2}$ 1	
---	--	-----------------	--

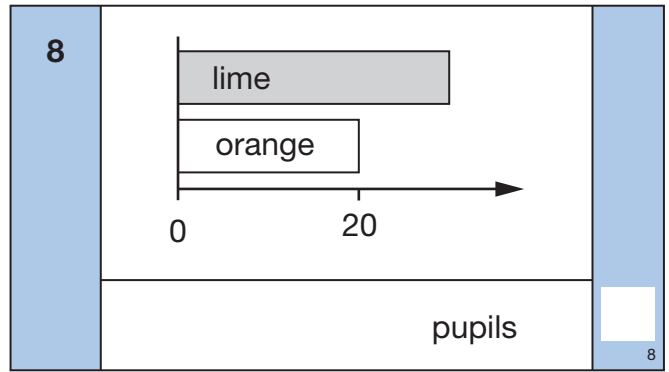
4	cm ²		
---	-----------------	--	--

5	%	97%	
---	---	-----	--

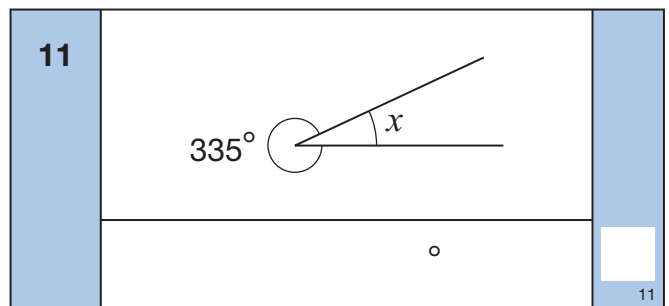
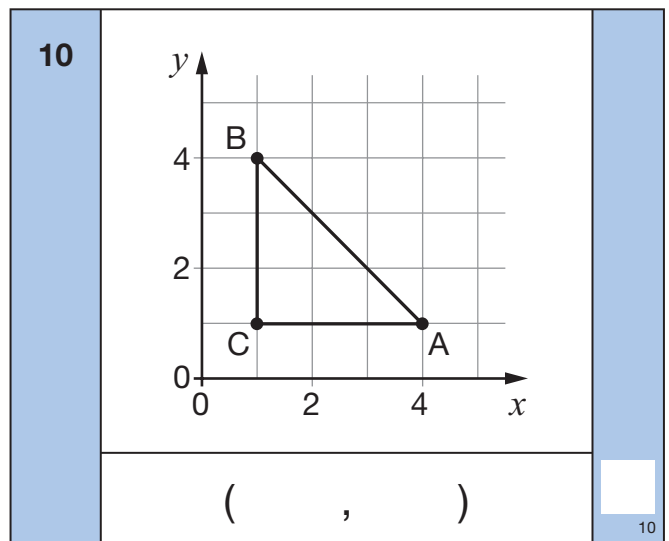
6		-6	
---	--	----	--

7	m		
---	---	--	--

Time: 10 seconds



9	minutes	2:45	3:20	
---	---------	------	------	--



12		$5k + 2m + 3m + 4k$	
----	--	---------------------	--

13		22 18 10 30	
----	--	-------------------	--

14	cm	150cm	10%	
----	----	-------	-----	--

15		30	$\frac{2}{5}$	
----	--	----	---------------	--

Time: 10 seconds continued

16		3 : 5	<input type="text"/>
-----------	--	-------	----------------------

17			
	____ cm and ____ cm		<input type="text"/>

18		$\frac{1}{2}y^2$	<input type="text"/>
-----------	--	------------------	----------------------

19			<input type="text"/>
-----------	--	--	----------------------

20		$\frac{3}{4}$ 0.2	<input type="text"/>
-----------	--	-------------------	----------------------

21	km/h	2km 5 minutes	<input type="text"/>
-----------	------	------------------	----------------------

Time: 15 seconds

22		70 80	<input type="text"/>
-----------	--	-------	----------------------

23			
			<input type="text"/>
			<input type="text"/>

Time: 15 seconds continued

24	$7 \times 58 = 406$		
	$3\frac{1}{2} \times 58 =$	<input type="text"/>	<input type="text"/>

25	£	44 25p	<input type="text"/>
-----------	---	--------	----------------------

26		$\frac{1}{2}$ $\frac{1}{6}$	<input type="text"/>
-----------	--	-----------------------------	----------------------

27			
			<input type="text"/>

28		$\sqrt{\frac{9}{25}}$	<input type="text"/>
-----------	--	-----------------------	----------------------

29			
			<input type="text"/>
		%	<input type="text"/>

30	$m^2 = 100$		
	$m + 15$		
	____ and ____		<input type="text"/>