

Key stage 3 mathematics 2008

Mental mathematics Test A

First name _____

Last name _____

School _____

Total marks

Practice question

		99	
--	--	----	--

Time: 5 seconds

1		42	
---	--	----	--

2	8	4	7
	4	9	
<input type="text"/>			

3		$4b + 5b$	
---	--	-----------	--

4		0.1 4	
---	--	-------	--

5		-2	
---	--	----	--

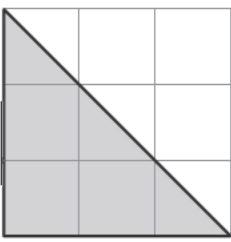
6		4.875	
---	--	-------	--

Time: 5 seconds continued

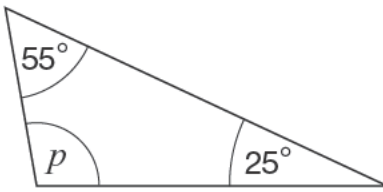
7		$y = 3x + 2$	
---	--	--------------	--

Time: 10 seconds

8		300	
---	--	-----	--

9			
		cm^2	

10		40 50	
----	--	-------	--

11			
		o	

12		$a = 5b - 4$	
----	--	--------------	--

13		20% 6	
----	--	-------	--

14	miles	40mph	
----	-------	-------	--

15		20	
----	--	----	--

16		$3(a - 5)$	
----	--	------------	--

17		5.7	
----	--	-----	--

Time: 10 seconds continued

18	Colour	Probability	18
	red	0.4	
	green	0.3	
	blue		

19	£	£1.20	19
----	---	-------	----

20		$\frac{m^3}{m}$	20
----	--	-----------------	----

Time: 15 seconds

21

21

22	$20 \times 38 = 760$	22
	$21 \times 38 =$ <input type="text"/>	

23

23

24

people

24

Time: 15 seconds continued

25

cm

25

26	Televisions	Frequency	26
	0	2	
	1	10	
	2	10	
	3	8	

27		5 faces	27
----	--	---------	----

28		$2\frac{3}{4}$	0.3	28
----	--	----------------	-----	----

29

29

30		8^2	30
----	--	-------	----