

Key stage 3 mathematics 2009

Mental mathematics Test B

First name _____

Last name _____

School _____

Total marks

Practice question

		39	
--	--	----	--

Time: 5 seconds

1	millimetres kilometres	
	metres	
	centimetres inches	<input type="text"/>

2		$8y + 3y$	
----------	--	-----------	--

3		6000	
----------	--	------	--

4		7.8	
----------	--	-----	--

5		
----------	--	--

6		0.3	
----------	--	-----	--

Time: 5 seconds continued

7		0.09	
----------	--	------	--

8		
----------	--	--

Time: 10 seconds

9		25p £2.50	
----------	--	-------------	--

10	Quarter to six	
	minutes	<input type="text"/>

11		13 14 15	
-----------	--	--------------	--

12	Key: = 3 pupils					
	<table border="1" style="width: 100%;"> <tr> <td style="width: 50%;">Apple</td> <td style="width: 50%; text-align: center;"> </td> </tr> <tr> <td>Banana</td> <td style="text-align: center;"> </td> </tr> </table>	Apple		Banana		
Apple						
Banana						
	pupils	<input type="text"/>				

13		°C 8°C	
-----------	--	-----------------------------	--

14	%	<table border="1" style="display: inline-table;"> <tr> <td style="width: 20px; height: 20px;"></td> <td style="width: 20px; height: 20px;"></td> <td style="width: 20px; height: 20px;"></td> <td style="width: 20px; height: 20px;"></td> </tr> <tr> <td style="width: 20px; height: 20px;"></td> <td style="width: 20px; height: 20px;"></td> <td style="width: 20px; height: 20px;"></td> <td style="width: 20px; height: 20px;"></td> </tr> </table>									

15		
-----------	--	--

Time: 10 seconds continued

16

No	Yes
0%	100%

%

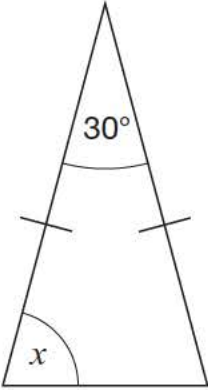
16

17

	cm	4cm
--	----	-----

17

18

°	
---	--

18

19

	hours	18
--	-------	----

19

20

£	5%	£2
---	----	----


20

21

	$y = 3x - 7$
--	--------------

21

22

8cm	
	10cm
	cm

22

23

	$3y(5 - y)$
--	-------------

23

Time: 15 seconds

24

_____ and _____	
-----------------	--

24

25

1cm : 2km	$7\frac{1}{2}$ cm
km	

25

26

	65 83
--	-------

26

27

	$\frac{(3 + b)^2}{5}$
--	-----------------------

27

28

Number of children	Frequency
0	1
1	1
2	4
3	3
4	1

children

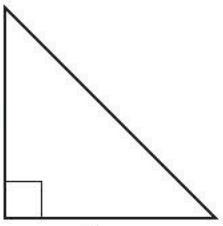
28

29

$2 : 3 : 4$	
°	°
°	°
_____	_____

29

30

3cm	
	3cm
$\sqrt{6}$	$\sqrt{9}$
	$\sqrt{12}$
$\sqrt{18}$	$\sqrt{27}$

30