

Year 9

Mathematics

Core: Calculator allowed

Time allowed: 45 minutes

First name						
Middle name						
Last name						
Date of birth	Day		Month		Year	
Teacher						

This assessment has been designed by White Rose Maths.
For more information, please visit www.whiterosemaths.com



1

Which of the fractions can be written as an integer?

Circle your answer.

$$\frac{3}{5}$$

$$\frac{6}{9}$$

$$\frac{22}{11}$$

$$\frac{12}{5}$$

1 mark

2

State the order of rotational symmetry of a regular pentagon.

1 mark

3

The ratio of red to blue counters in a box is 3 : 5

What fraction of the counters are blue?

2 marks

Explain why there cannot be exactly 31 counters in the box.

1 mark

4

Solve the equations.

$$7.2x = 19.44$$

1 mark

$$\frac{y}{5} - \frac{2}{3} = \frac{1}{2}$$

2 marks

Solve the inequality.

$$10 < 2z - 15$$

2 marks

5

Is the statement true or false?

Circle your answer.

Any pair of integers shares at least one common factor.

True

False

Explain your reasoning.

1 mark

6

Describe the translation vector $\begin{pmatrix} 3 \\ -2 \end{pmatrix}$ in words.

2 marks

7

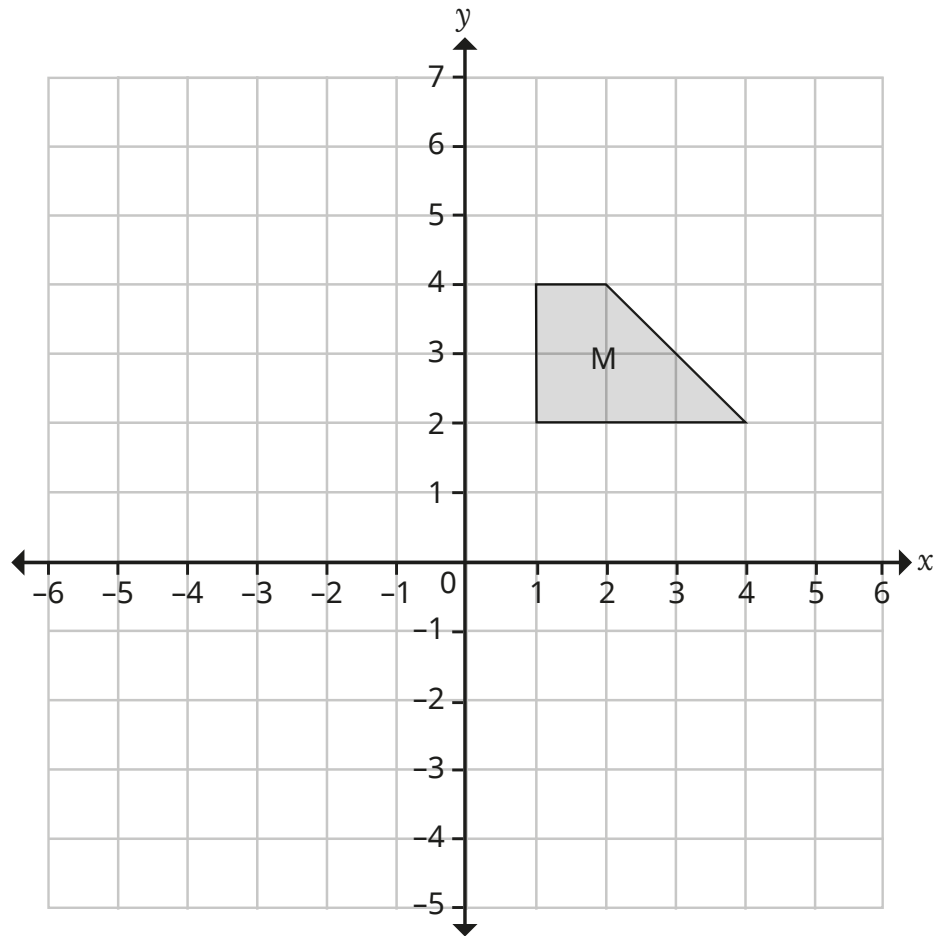
Expand and simplify $(x + 4)(x - 7)$.

2 marks

8

Rotate shape M 90° clockwise about the point $(1, 0)$.

Label your new shape N.



2 marks

Are shapes M and N congruent?

Circle your answer.

Yes

No

Explain your reasoning.

1 mark

9

In a sale, the prices in a shop are reduced by 28%.

The normal price of a coat is £250

Work out the sale price of the coat.

£

2 marks

The sale price of a handbag is £108

Work out the normal price of the handbag.

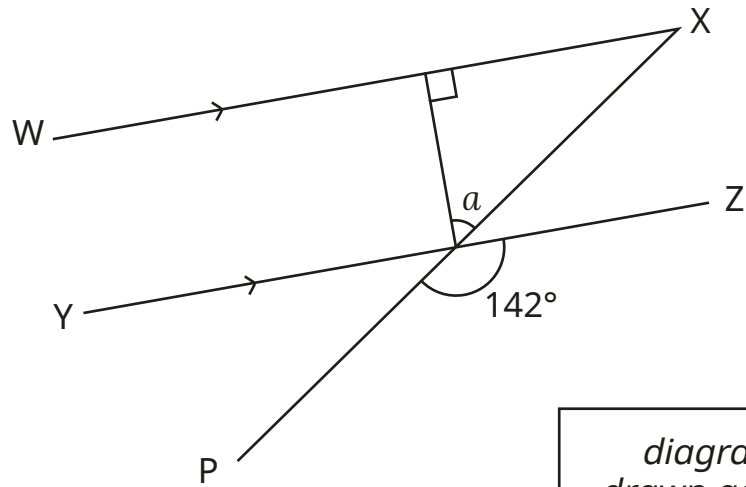
£

2 marks

10

WX and YZ are parallel lines.

XP is a straight line.



*diagram not
drawn accurately*

Work out the size of angle a .

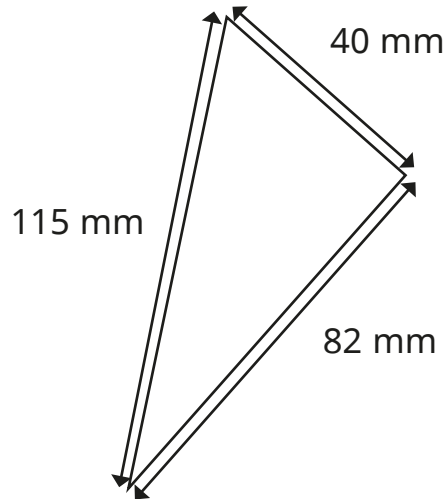
Give a reason for each stage of your working.



3 marks

11

Here is a triangle.



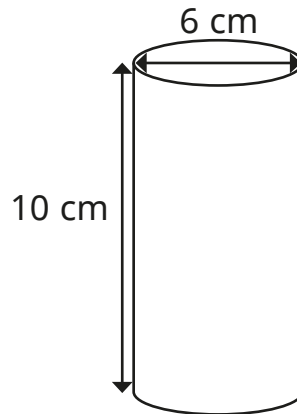
Make an accurate drawing of the triangle in the space below.

2 marks

12

Find the volume of the cylinder.

State units with your answer.



3 marks

13

A savings account pays 3% compound interest per year.

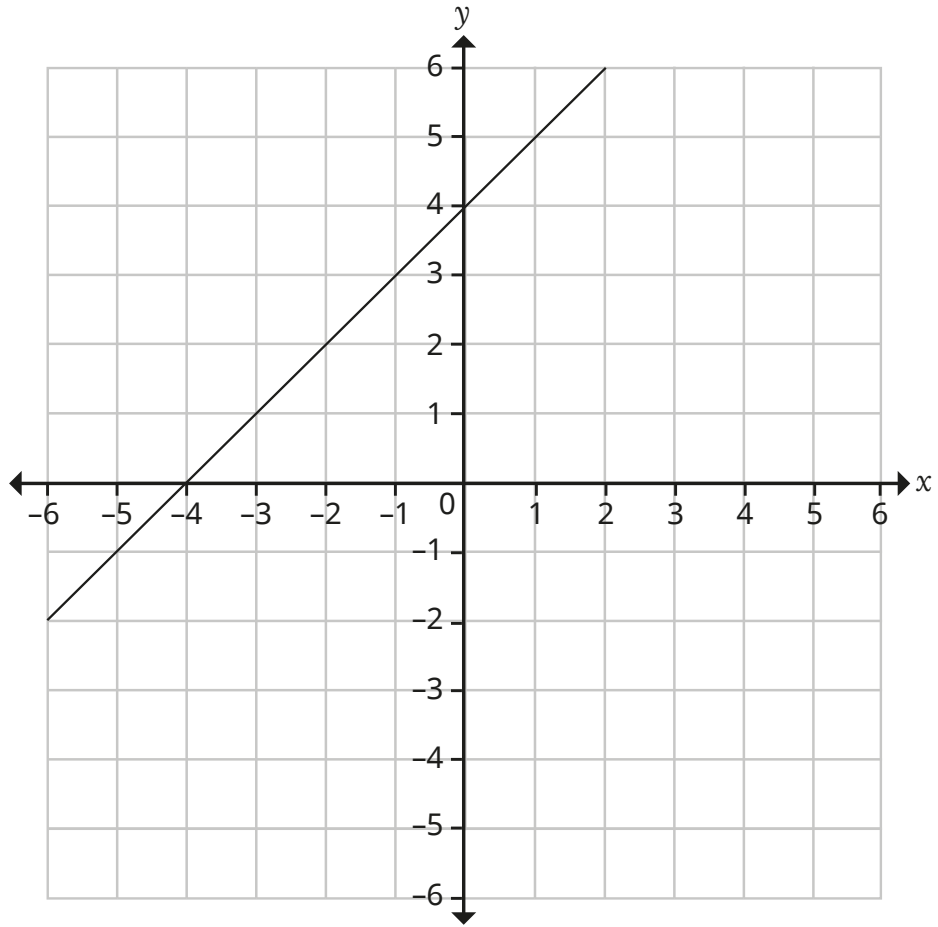
Dr Lee invests £6000

Work out the value of Dr Lee's investment after 5 years.

3 marks

14

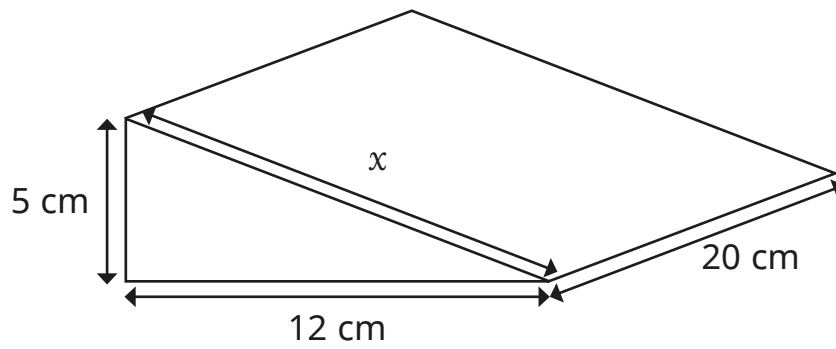
Find the equation of the line.



2 marks

15

Here is a triangular prism.



Work out the length of the side marked x .

cm

2 marks

Work out the surface area of the triangular prism.

cm²

3 marks

END OF TEST

BLANK PAGE

Please do not write on this page.