

Year 9

Mathematics

Foundation: No calculator allowed

Time allowed: 45 minutes

First name						
Middle name						
Last name						
Date of birth	Day		Month		Year	
Teacher						

This assessment has been designed by White Rose Maths.
For more information, please visit www.whiterosemaths.com



1

There are 117 people on a train.

At the next station, 26 people get on and 15 people get off.

How many people are on the train now?

2 marks

2

One apple costs 46p.

Jack buys 20 of these apples.

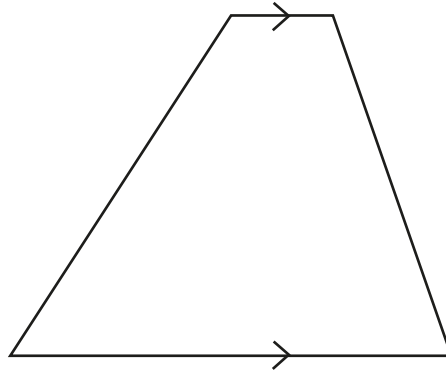
He pays with a £10 note.

How much change will Jack receive?

3 marks

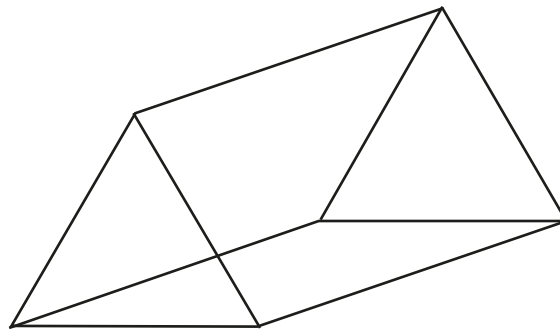
3

Write the mathematical name of this 2-D shape.



1 mark

Here is a diagram of a triangular prism.



Write the number of:

faces

1 mark

edges

1 mark

vertices

1 mark

4

Write the numbers in order, starting with the smallest.

3 -3 -5 -0.5

1 mark

Write the numbers in order, starting with the greatest.

55.7 54.99 55.07 56.1

1 mark

5

Whitney is 159 cm tall.

Tommy's height is $\frac{2}{3}$ of Whitney's height.

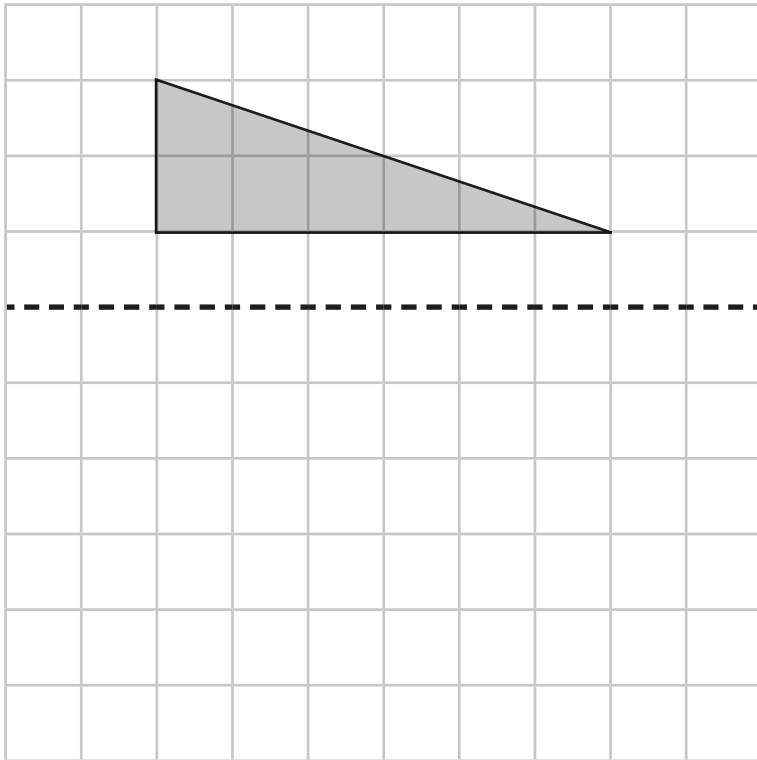
How tall is Tommy?

cm

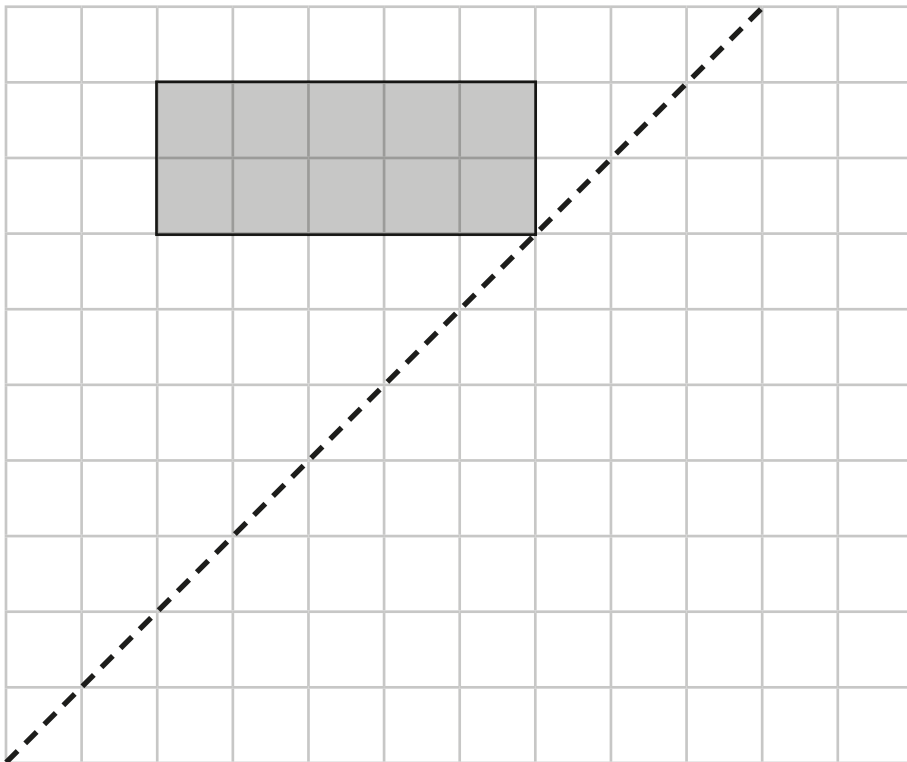
2 marks

6

Reflect each shape in the given mirror line.



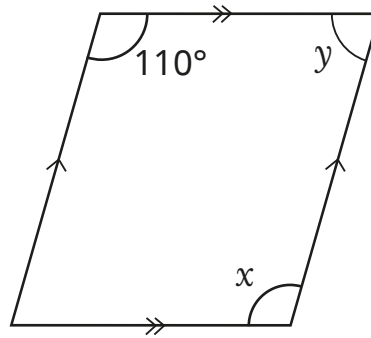
1 mark



1 mark

7

Here is a parallelogram.



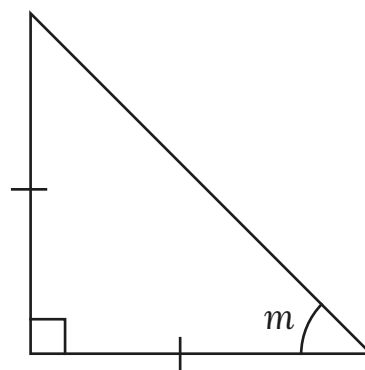
Write the size of angle x .

1 mark

Work out the size of angle y .

2 marks

Work out the size of angle m .



2 marks

8

Solve the equations.

$$t - 3.5 = 5$$

$$t =$$

1 mark

$$\frac{d}{2} = 8$$

$$d =$$

1 mark

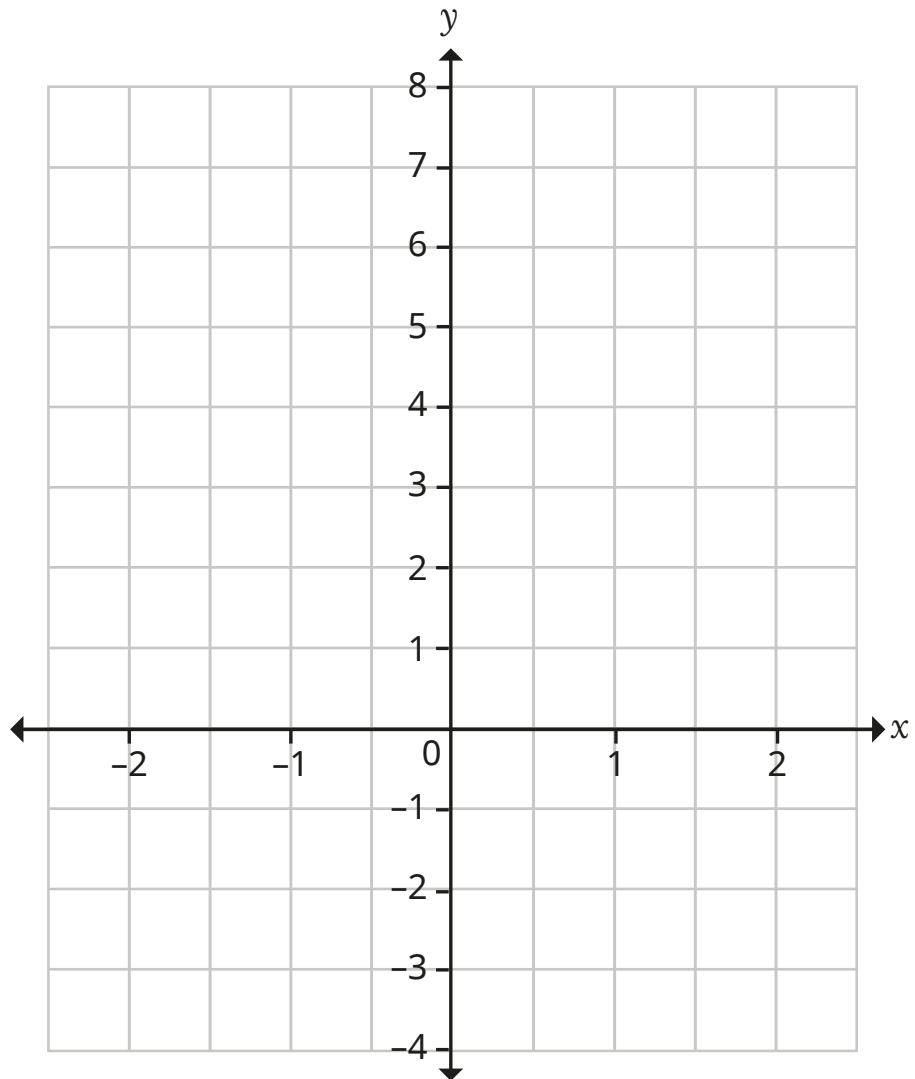
$$2c + 10 = 4$$

$$c =$$

2 marks

9Complete the table of values for the graph of $y = 2x + 3$

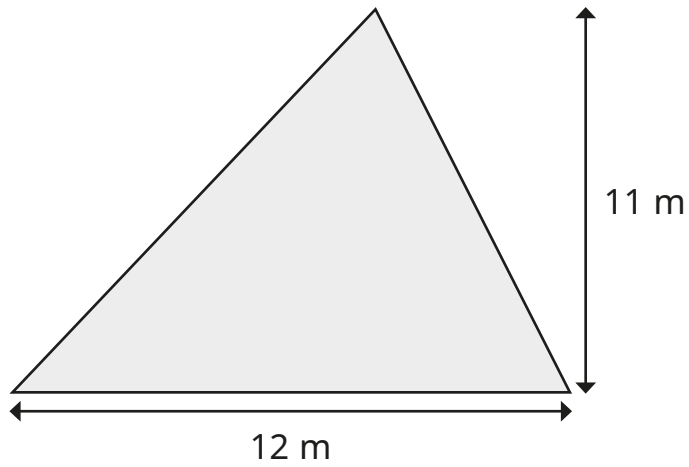
x	-2	-1	0	1	2
y	-1			5	

2 marksOn the grid, draw the graph of $y = 2x + 3$ 

2 marks

10

Work out the area of the triangle.



*diagram not
drawn accurately*

m²

2 marks

11

Given that $y = x^2$, work out the value of y when $x = -5$

2 marks

12

Mo and Rosie share £70 in the ratio 4 : 1

How much money do they each get?

Mo	£	<input type="text"/>
Rosie	£	<input type="text"/>

3 marks

13

Ms Fisher buys a car at auction for £2000

She sells it for 30% more than she bought it for.

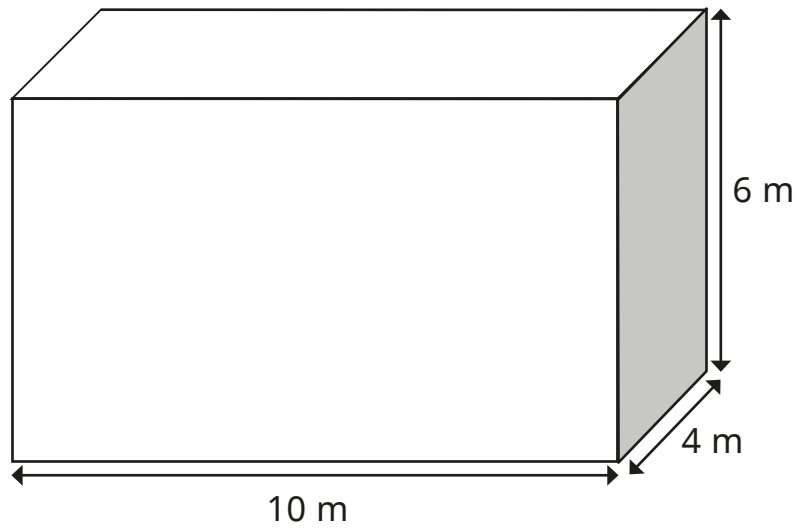
How much does she sell the car for?

£	<input type="text"/>
---	----------------------

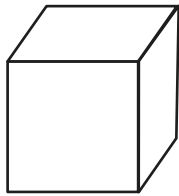
2 marks

14

This container is used to store boxes.



Each box measures 2 m by 2 m by 2 m.



What is the greatest number of boxes that will fit into the container?

3 marks

END OF TEST

BLANK PAGE

Please do not write on this page.